



## TU100+TU18B



### Features

- All speakers are driven neodymium iron boron element
- TU100 speakers 1x10" neodymium iron boron speaker voice coil 3" (76.2 mm) 1x 3" (74.4 mm) neodymium iron boron compression unit
- 2x 15" TU215SUB subwoofer neodymium iron boron horn (100 mm) voice coil 4"
- Strip surface waveguide structure device
- Waveguide directivity horn: horizontal vertical 10° x90°
- Open Angle 0° to 10°, stepper Angle: 1°
- 4 hanging structure
- 2 Neutrik 4 core for money
- The horn signal link function
- Iron net before punching the lacquer that bake
- 3 mm acoustic cotton cloth
- Wooden box: 18 mm multilayer plywood
- Pure polyurea (PU) scratch-resistant coating

### 产品特性

- 所有的喇叭采用钕铁硼单元驱动
- TU100音箱一个10"钕铁硼喇叭（音圈3"76.2mm）一个3"（74.4mm）钕铁硼压缩单元
- TU215B低音炮2个15"钕铁硼喇叭（音圈4"100mm）
- 高音带品面波导结构装置
- 波导号角指向性：水平90°/垂直10°
- 打开角度0°-10°，步进角度：1°
- 4点吊挂结构
- 2个Neutrik 4芯卡依座
- 喇叭信号链接功能
- 冲孔烤漆前铁网
- 3mm声学绵布
- 木箱体：18mm多层夹板
- 纯聚脲（PU）超耐刮喷涂

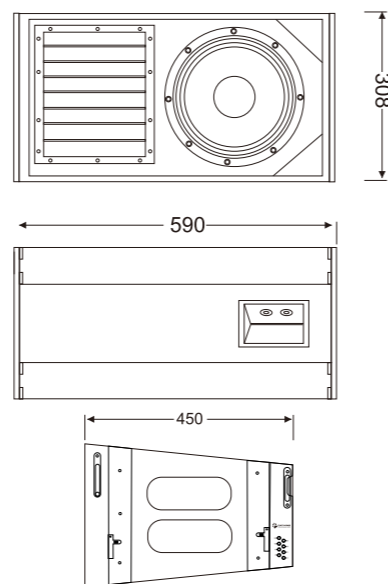
### Extended matching speakers

Stage monitor speakers: Pro120M/150M/M203  
Subwoofer:M1.8B/LA-18SUB (1x18")  
Subwoofer:VT218/LA218SUB (2x18")

### 扩展匹配音箱

Pro120M/150M/M203舞台监听音箱  
M1.8B/LA-18SUB 超低频音箱  
VT218/LA-218SUB 超低频音箱

specification	TU100/TU18B
rated impedance 额定阻抗	8Ω/8Ω
operation mode 运作模式	passive
power passive 额定最大功率AES/peak*峰值*	400/800W, 500/1000W
available frequency response**可用频率响应**	70Hz-18kHz/48-250Hz
max.sound pressure level*** 最大声压级***	122dB/111dB
horn directivity(h x v)指向性（水平方向X垂直方向）	60° X70°
LF-transducer rated size 低音单元尺寸	1x10"/1x18"
LF-transducer voice coil diameter 低音单元音圈直径	3"(76.2mm)/4"(99.6mm)
LF-transducer magnet structure 低音单元磁体结构	neodymium/ferrite钕/铁
HF-compression driver rated size (vc) 高音单元尺寸(音圈)	3"(74.4mm)
HF-compression throat diameter 高音单元喉口直径	1.5"(38mm)
LF-compression magnet structure 高音单元磁体结构	neodymium 钕铁硼
dimension HxWxD mm 尺寸高x宽x深 单位：毫米	308x590x450/680x580x800
weight 重量	26Kg/57Kg



## TU2102+TU215B



### Features

- All speakers are driven neodymium iron boron element
- TU2102 speakers 2x10" neodymium iron boron speaker voice coil 3" (76.2 mm) 1x 3" (74.4 mm) neodymium iron boron compression unit
- 2x 15" TU215SUB subwoofer neodymium iron boron horn (100 mm) voice coil 4"
- Strip surface waveguide structure device
- Waveguide directivity horn: horizontal vertical 10° x90°
- Open Angle 0° to 10°, stepper Angle: 1°
- 4 hanging structure
- 2 Neutrik 4 core for money
- The horn signal link function
- Iron net before punching the lacquer that bake
- 3 mm acoustic cotton cloth
- Wooden box: 18 mm multilayer plywood
- Pure polyurea (PU) scratch-resistant coating

### 产品特性

- 所有的喇叭采用钕铁硼单元驱动
- TU2102音箱二个10"钕铁硼喇叭（音圈3"76.2mm）一个3"（74.4mm）钕铁硼压缩单元
- TU215B低音炮2个15"钕铁硼喇叭（音圈4"100mm）
- 高音带品面波导结构装置
- 波导号角指向性：水平90°/垂直10°
- 打开角度0°-10°，步进角度：1°
- 4点吊挂结构
- 2个Neutrik 4芯卡依座
- 喇叭信号链接功能
- 冲孔烤漆前铁网
- 3mm声学绵布
- 木箱体：18mm多层夹板
- 纯聚脲（PU）超耐刮喷涂

### Extended matching speakers

Stage monitor speakers: Pro120M/150M/M203  
Subwoofer:VT218/LA-218SUB (2x18")

### 扩展匹配音箱

Pro120M/150M/M203舞台监听音箱  
VT218/LA-218SUB 超低频音箱



CONTROL+POWERS RACK  
控制+功放机柜

specification	TU2102/TU215B
rated impedance 额定阻抗	4Ω
operation mode 运作模式	passive
power passive 额定最大功率AES/peak*峰值*	900/1800W, 900/1800W
available frequency response**可用频率响应**	65Hz-18kHz/42-250Hz
max.sound pressure level*** 最大声压级***	123dB/118dB
horn directivity(h x v)指向性（水平方向X垂直方向）	60° X70°
LF-transducer rated size 低音单元尺寸	2x10"/2x15"
LF-transducer voice coil diameter 低音单元音圈直径	3"(76.2mm)/3"(76.6mm)
LF-transducer magnet structure 低音单元磁体结构	neodymium/ferrite钕/铁
HF-compression driver rated size (vc) 高音单元尺寸(音圈)	3"(74.4mm)
HF-compression throat diameter 高音单元喉口直径	1.5"(38mm)
LF-compression magnet structure 高音单元磁体结构	neodymium 钕铁硼
dimension HxWxD mm 尺寸高x宽x深 单位：毫米	300x941x450/470x941x690
weight 重量	39Kg/64Kg

