



DP412 Active portable column system

有源便携音柱扩声系统



CS Multipurpose active portable array system

多用途有源便携阵列扩声系统

DP412

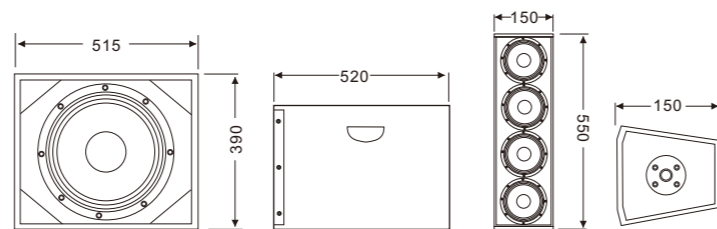


Features

- Active column sound system
- 4x4" full range speaker
- 12 inch high efficiency low frequency loudspeaker
- Two-channel digital DSP audio processing
- High frequency: 400W peak power 200W rated power
- Low frequency: 2000W peak power 1000W rated power
- Wooden shell: 15+18mm multilayer plywood
- Perforated iron net with mesh lining
- Pu sand point paint coverage
- Very light weight

产品特性

- 有源音柱音响系统
- 4"x4英寸全频扬声器
- 12英寸高效率低频扬声器
- 两路数字DSP音频处理
- 功率输出: 800W+400W额定功率
- 木质外壳: 15+18mm多层夹板
- 穿孔铁网, 加网布衬里
- Pu砂点油漆覆盖
- 很轻的重量



Model 型号	D4	D12
Nominal impedance (Passive) 标称阻抗(无源)	8 Ω	8 Ω
Power handling AES / Peak 额定功率/最大功率	120 W/240W	300 W/600W
Frequency range (-10dB) 频率范围	120 Hz - 18 kHz	43 Hz - 220Hz
Crossover Frequency 分频交叉点	120Hz active	120Hz
Sensitivity (1W; 1m) 灵敏度	98 dB	96 dB
Max. SPL/1m peak (calc) 连续/最大声压级(计算值)	103dB/109 dB	98dB/104 dB
LF transducer rated size 低音单元	4x4"(100mm) Cone	12"(300mm) Cone
LF transducer voice coil diameter (低音单元音圈)	1"(25.5mm)	3"(76.2mm)
LF transducer magnet structure (低音单元磁体结构)	90mm ferrite 铁氧体	156mm ferrite 铁氧体
HF compression driver voice coil (高音驱动器音圈)		
HF compression magnet structure (高音驱动器磁体)		
Enclosure material 外壳材质	15mm Plywood 多层板	18mm Plywood 多层板
Options 可选配件	Flight case 航空箱	Flight case 航空箱
Dimension (WxHxD) 尺寸 (宽x高x深)	150x 550 x 150 mm	515x 390 x 520 mm
Weight 重量	9 kg	22 kg

CS-412

Patented technology
专利产品



CS-815

Patented technology
专利产品

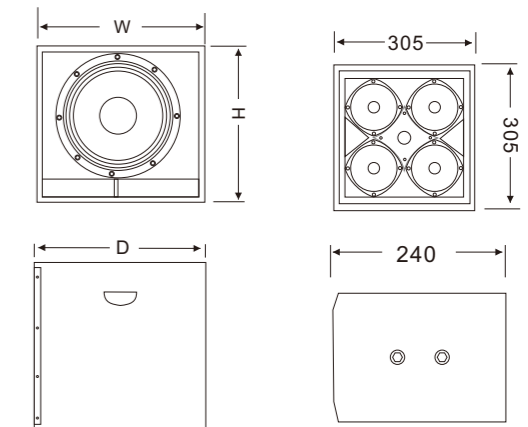


Features

- Active portable array sound system
- Cat king 'concentric source' patented technology
- 12/15 inch high efficiency low frequency loudspeaker
- Two-channel digital DSP audio processing
- High frequency: 600W peak power 300W rated power
- Low frequency: 1600W peak power 800W rated power
- Adjustable radiation angle
- Wooden shell: 15+18mm multilayer plywood
- Perforated iron net with mesh lining
- Pu sand point paint coverage
- Very light weight

产品特性

- 有源便携阵列音响系统
- 采用"同心源"音频技术
- 12/15英寸大功率低频扬声器
- 两路数字DSP音频处理
- 输出功率: 800W+400W额定功率
- 辐射角度可调
- 木质外壳: 15+18mm多层夹板
- 穿孔铁网, 加网布衬里
- Pu砂点油漆覆盖
- 很轻的重量



Model 型号	CS-4.4	CS-12W	CS-15W
Nominal impedance (Passive) 标称阻抗(无源)	4 Ω	8 Ω	8 Ω
Power handling AES / Peak 额定功率/最大功率	200 W/400W	300 W/600W	500 W/1000W
Frequency range (-10dB) 频率范围	120 Hz - 19 KHz	43 Hz - 220Hz	45 Hz - 250Hz
Crossover Frequency 分频交叉点	2.6KHz passive	160Hz (Active)	110Hz (Active)
Sensitivity (1W; 1m) 灵敏度	101 dB	96 dB	97 dB
Max. SPL/1m peak (calc) 连续/最大声压级(计算值)	113dB/119 dB	98dB/104 dB	104dB/110 dB
LF transducer rated size 低音单元	4x4"(100mm) Cone	12"(300mm) Cone	15"(380mm) Cone
LF transducer voice coil diameter (低音单元音圈)	1"(35mm)	3"(76.2mm)	4"(99.6mm)
LF transducer magnet structure (低音单元磁体结构)	Neodymium 钕磁体	156mm ferrite 铁氧体	220mm ferrite 铁氧体
HF compression driver voice coil (高音驱动器音圈)	1.4"Titanium 钛振膜		
HF compression magnet structure (高音驱动器磁体)	90mm Ferrite 铁氧体		
Enclosure material 外壳材质	15mm Plywood 多层板	18mm 多层板	18mm 多层板
Options 可选配件	Flight case 航空箱	Flight case 航空箱	Flight case 航空箱
Dimension (WxHxD) 尺寸 (宽x高x深)	305x 305 x 240 mm	390x 515 x 520 mm	450x 595 x 620 mm
Weight 重量	8 kg	22 kg	38 kg